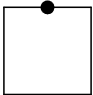
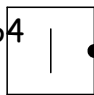
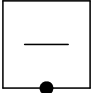
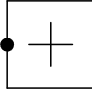
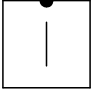
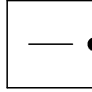
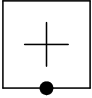
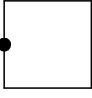
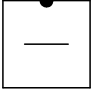
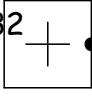


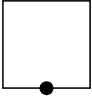
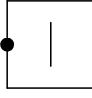
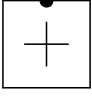
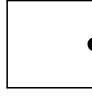
	Paire	%	Nom
N-S	2	53,3	Pascale NOBILE - Claude NOBILE
	4	53,3	Philippe NOISETTE - Eric PERSON
	5	52,5	Patrick GORTEAU - Anne Marie VANDENBULCKE
	3	50,0	Anne FAURE - Pierre TANGUY
	1	40,8	Alain D AUX - Sophie D AUX
E-O	13	66,7	Martine JACQ - Daniel JACQ
	15	55,8	Jean Pierre BREAU - Nicole BREAU
	11	45,0	Catherine HEINTZ - Françoise BRIAND
	12	44,2	Floride COTONEA - Jeanne FAOU
	14	38,3	Francis CORDIER - Anne Marie GOURRET

1	D10632					2	D52				
	3						87532				
	AD98						V				
	1032						RV84				
9		R875				V9		A8643			
DV542		A1098				ARV10964		D			
V103		72				32		ARD7			
A875		RD4				63		D95			
	AV4						R107				
	R76						---				
	R654						1098654				
	V96						A1072				
Paire	Contrat	Ent	Résultat	Score		Paire	Contrat	Ent	Résultat	Score	
1 11	2♥ O =	*2	-110	7 1		5 14	5♠ E -4	♦10	200	8 0	
5 14	2♥ O =	♠2	-110	7 1		4 12	4♥ O -1	♦V	50	6 2	
3 15	2♥ O +1	♦9	-140	3 5		2 13	4♥ O =	♦V	-420	3 5	
4 12	2♥ O +1	♦A	-140	3 5		3 15	4♥ O =	♦V	-420	3 5	
2 13	4♠ N -3	♥A	-150	0 8		1 11	3S E +2	♦6	-460	0 8	

5 tables, 10 paires. Nombre de donnes: 15. Moyenne: 60.

<p>3 A6 AR987 A972 D6</p> <p>R4 D3 1063  42 D8 10543 R108752 AV943 V1098752 DV5 RV6 ---</p>						<p>4 106 AV73 D1032 V106</p> <p>97543 R2 95  R10842 R7 AV8 9872 D43 ADV8 D6 9654 AR5</p>					
Paire	Contrat	Ent	Résultat	Score	Paire	Contrat	Ent	Résultat	Score		
1 11	4♥ N+2	♦10	480	4 4	3 14	3S S =	*8	600	8 0		
2 13	4♠ S+2	♥6	480	4 4	1 15	1S N+2	♥2	150	5 3		
3 15	4♠ S+2	*10	480	4 4	2 12	2S S+1	♥9	150	5 3		
4 12	4♥ N+2	*4	480	4 4	4 11	1♥ E-1	*A	100	2 6		
5 14	4♠ N+2	*4	480	4 4	5 13	2♦ N =	♦8	90	0 8		
<p>5 D105 AR42 R96 D63</p> <p>632 A 93  V1085 1082 AV54 R10754 A982 RV9874 D76 D73 V</p>						<p>6 RD4 DV10 65 R10832</p> <p>1095 873 R765  A93 A873 R104 75 ADV4 AV62 842 DV92 96</p>					
Paire	Contrat	Ent	Résultat	Score	Paire	Contrat	Ent	Résultat	Score		
4 11	4♠ S+1	♥9	650	8 0	5 13	2* E-1	♦2	100	8 0		
2 12	4♠ S =	*5	620	6 2	1 15	1S E =	♦2	-90	5 3		
3 14	2♠ S+2	♦2	170	4 4	2 12	1S E =	♦2	-90	5 3		
1 15	4♠ S-1	♥9	-100	1 7	3 14	1S E+1	♥8	-120	1 7		
5 13	4♠ N-1	♦A	-100	1 7	4 11	1S E+1	♦2	-120	1 7		

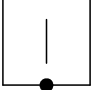
<p>7 V543 97 D73 ARD6</p> <p>RD A876 1054  ARV6 AV62 108 10542 873</p> <p>1092 D832 R954 V9</p>					<p>8 R62 76 985 A9875</p> <p>V105 A743 A842  RD1053 DV10432 A --- V63</p> <p>D98 V9 R76 RD1042</p>				
Paire	Contrat	Ent	Résultat	Score	Paire	Contrat	Ent	Résultat	Score
4 15	1S N =	♥A	90	8 0	5 12	4♥ E -1	*4	50	8 0
1 14	1S N -1	♠6	-100	4 4	1 14	4♥ E =	*R	-420	3 5
2 11	1S S -1	♦2	-100	4 4	2 11	4♥ E =	*R	-420	3 5
5 12	1S N -1	♠7	-100	4 4	3 13	4♥ E =	*R	-420	3 5
3 13	1S O +1	*A	-120	0 8	4 15	4♥ E =	*R	-420	3 5
<p>9 10965 DV84 RDV A8</p> <p>ARV74 D83 7  9 1054 98763 D954 7632</p> <p>2 AR106532 A2 RV10</p>					<p>10 863 R65 RDV104 105</p> <p>D1094 RV752 ADV10732  98 9 8 9 RV842</p> <p>A 4 A76532 AD763</p>				
Paire	Contrat	Ent	Résultat	Score	Paire	Contrat	Ent	Résultat	Score
2 11	6♥ S =	♠A	980	8 0	3 12	5♦ S +1	♥A	620	6 2
1 14	4♥ S +2	♠A	480	3 5	4 14	5♦ S +1	♥A	620	6 2
3 13	4♥ S +2	♠A	480	3 5	5 11	5♦ S +1	*9	620	6 2
4 15	4♥ S +2	♠A	480	3 5	1 13	4♦ S +2	♥A	170	2 6
5 12	4♥ S +2	♠A	480	3 5	2 15	4♥ O =	♦R	-620	0 8

<p>11 ARD97 V1084 A RD7</p> <p>42 106 96  AD7532 843 R62 AV9654 32</p> <p>V853 R DV10975 108</p>	<p>12 D32 RD53 A52 R76</p> <p>10654 ARV8 A82  976 R96 V743 AD9 84</p> <p>97 V104 D108 V10532</p>																																																												
<table border="1"> <thead> <tr> <th>Paire</th> <th>Contrat</th> <th>Ent</th> <th>Résultat</th> <th>Score</th> </tr> </thead> <tbody> <tr> <td>2 15</td> <td>4[♠] N +1</td> <td>♥A</td> <td>450</td> <td>7 1</td> </tr> <tr> <td>4 14</td> <td>4[♠] N +1</td> <td>♥A</td> <td>450</td> <td>7 1</td> </tr> <tr> <td>1 13</td> <td>4[♠] N =</td> <td>♥A</td> <td>420</td> <td>3 5</td> </tr> <tr> <td>5 11</td> <td>4[♠] N =</td> <td>♦6</td> <td>420</td> <td>3 5</td> </tr> <tr> <td>3 12</td> <td>2[♠] N +3</td> <td>*2</td> <td>200</td> <td>0 8</td> </tr> </tbody> </table>	Paire	Contrat	Ent	Résultat	Score	2 15	4 [♠] N +1	♥A	450	7 1	4 14	4 [♠] N +1	♥A	450	7 1	1 13	4 [♠] N =	♥A	420	3 5	5 11	4 [♠] N =	♦6	420	3 5	3 12	2 [♠] N +3	*2	200	0 8	<table border="1"> <thead> <tr> <th>Paire</th> <th>Contrat</th> <th>Ent</th> <th>Résultat</th> <th>Score</th> </tr> </thead> <tbody> <tr> <td>3 12</td> <td>2[♠] E -1</td> <td>♠9</td> <td>50</td> <td>8 0</td> </tr> <tr> <td>1 13</td> <td>2[♠] E =</td> <td>♥4</td> <td>-110</td> <td>3 5</td> </tr> <tr> <td>2 15</td> <td>2[♠] E =</td> <td>♥V</td> <td>-110</td> <td>3 5</td> </tr> <tr> <td>4 14</td> <td>2[♠] E =</td> <td>♥V</td> <td>-110</td> <td>3 5</td> </tr> <tr> <td>5 11</td> <td>2[♠] E =</td> <td>♦8</td> <td>-110</td> <td>3 5</td> </tr> </tbody> </table>	Paire	Contrat	Ent	Résultat	Score	3 12	2 [♠] E -1	♠9	50	8 0	1 13	2 [♠] E =	♥4	-110	3 5	2 15	2 [♠] E =	♥V	-110	3 5	4 14	2 [♠] E =	♥V	-110	3 5	5 11	2 [♠] E =	♦8	-110	3 5
Paire	Contrat	Ent	Résultat	Score																																																									
2 15	4 [♠] N +1	♥A	450	7 1																																																									
4 14	4 [♠] N +1	♥A	450	7 1																																																									
1 13	4 [♠] N =	♥A	420	3 5																																																									
5 11	4 [♠] N =	♦6	420	3 5																																																									
3 12	2 [♠] N +3	*2	200	0 8																																																									
Paire	Contrat	Ent	Résultat	Score																																																									
3 12	2 [♠] E -1	♠9	50	8 0																																																									
1 13	2 [♠] E =	♥4	-110	3 5																																																									
2 15	2 [♠] E =	♥V	-110	3 5																																																									
4 14	2 [♠] E =	♥V	-110	3 5																																																									
5 11	2 [♠] E =	♦8	-110	3 5																																																									
<p>13 R10 R3 87654 7543</p> <p>7632 AV5 872  ADV64 ADV 103 AV2 D109</p> <p>D984 1095 R92 R86</p>	<p>14 AD102 R3 AV1074 A5</p> <p>V84 963 AD865  1042 632 R98 84 DV106</p> <p>R75 V97 D5 R9732</p>																																																												
<table border="1"> <thead> <tr> <th>Paire</th> <th>Contrat</th> <th>Ent</th> <th>Résultat</th> <th>Score</th> </tr> </thead> <tbody> <tr> <td>1 12</td> <td>4[♥] E -1</td> <td>♠9</td> <td>100</td> <td>8 0</td> </tr> <tr> <td>3 11</td> <td>4[♥] E =</td> <td>♠8</td> <td>-620</td> <td>6 2</td> </tr> <tr> <td>5 15</td> <td>3S E +1</td> <td>♠4</td> <td>-630</td> <td>4 4</td> </tr> <tr> <td>2 14</td> <td>4[♥] E +1</td> <td>*6</td> <td>-650</td> <td>2 6</td> </tr> <tr> <td>4 13</td> <td>3S O +2</td> <td>♦8</td> <td>-660</td> <td>0 8</td> </tr> </tbody> </table>	Paire	Contrat	Ent	Résultat	Score	1 12	4 [♥] E -1	♠9	100	8 0	3 11	4 [♥] E =	♠8	-620	6 2	5 15	3S E +1	♠4	-630	4 4	2 14	4 [♥] E +1	*6	-650	2 6	4 13	3S O +2	♦8	-660	0 8	<table border="1"> <thead> <tr> <th>Paire</th> <th>Contrat</th> <th>Ent</th> <th>Résultat</th> <th>Score</th> </tr> </thead> <tbody> <tr> <td>3 11</td> <td>3S N +1</td> <td>*6</td> <td>430</td> <td>8 0</td> </tr> <tr> <td>2 14</td> <td>2S S +3</td> <td>♠4</td> <td>210</td> <td>6 2</td> </tr> <tr> <td>4 13</td> <td>2S S +2</td> <td>♦2</td> <td>180</td> <td>4 4</td> </tr> <tr> <td>1 12</td> <td>2[♦] N +3</td> <td>*6</td> <td>150</td> <td>1 7</td> </tr> <tr> <td>5 15</td> <td>1S S +2</td> <td>♦6</td> <td>150</td> <td>1 7</td> </tr> </tbody> </table>	Paire	Contrat	Ent	Résultat	Score	3 11	3S N +1	*6	430	8 0	2 14	2S S +3	♠4	210	6 2	4 13	2S S +2	♦2	180	4 4	1 12	2 [♦] N +3	*6	150	1 7	5 15	1S S +2	♦6	150	1 7
Paire	Contrat	Ent	Résultat	Score																																																									
1 12	4 [♥] E -1	♠9	100	8 0																																																									
3 11	4 [♥] E =	♠8	-620	6 2																																																									
5 15	3S E +1	♠4	-630	4 4																																																									
2 14	4 [♥] E +1	*6	-650	2 6																																																									
4 13	3S O +2	♦8	-660	0 8																																																									
Paire	Contrat	Ent	Résultat	Score																																																									
3 11	3S N +1	*6	430	8 0																																																									
2 14	2S S +3	♠4	210	6 2																																																									
4 13	2S S +2	♦2	180	4 4																																																									
1 12	2 [♦] N +3	*6	150	1 7																																																									
5 15	1S S +2	♦6	150	1 7																																																									

2024-02-05 mitchell

Résultat final

5 tables, 10 paires. Nombre de donnes: 15. Moyenne: 60.

15	RV864				
	54				
	8763				
	AV				
D753		102			
AR106		V93			
A2		RV9			
963		R10854			
	A9				
	D872				
	D1054				
	D72				
Paire	Contrat	Ent	Résultat	Score	
2 14	3S O -2	♠8	100	8 0	
4 13	2S O -1	♠6	50	6 2	
3 11	2* O =	♠4	-90	3 5	
5 15	1S E =	♥2	-90	3 5	
1 12	2* O +1	♥5	-110	0 8	