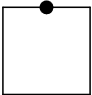
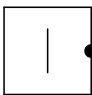
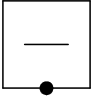
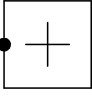
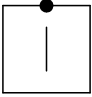
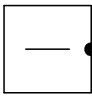
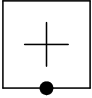
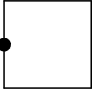
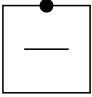
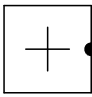
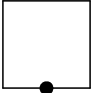
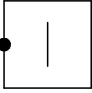
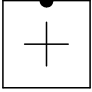
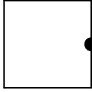


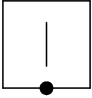
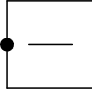
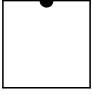

	Paire	%	Nom
N-S	1	66,0	Martine JACQ - Daniel JACQ
	3	51,5	Catherine HEINTZ - Yvonne DELEMOTTE
	4	50,0	Marie France FACQ - Eric PERSON
	2	49,0	Jean Pierre BREAU - Nicole BREAU
	5	33,5	Alain LE BARS - Anne Marie VANDENBULCKE
E-O	14	56,5	Claude NICOT - Marie Lou VERGNE
	12	54,0	Sophie D AUX - Philippe NOISETTE
	15	53,5	Francis CORDIER - Anne Marie GOURRET
	13	46,5	Floride COTONEA - Jeanne FAOU
	11	39,5	Pascale NOBILE - Claude NOBILE

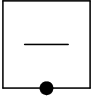
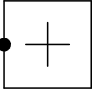
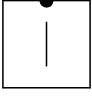
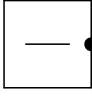
1	A864					2	AR105				
	V8						82				
	AR107						8432				
	1086						V75				
10972		D3				V7		9632			
D96		AR5432				V9		D10765			
64		52				ARD105		V97			
DV52		743				R942		D			
	RV5						D84				
	107						AR43				
	DV983						6				
	AR9						A10863				
Paire	Contrat	Ent	Résultat	Score		Paire	Contrat	Ent	Résultat	Score	
1 11	4♦ N+1	♥A	150	6 2		2 13	3♥ E -4	♦6	200	8 0	
2 13	3♦ N+2	♥A	150	6 2		4 12	2♠ N+1	♦V	140	6 2	
4 12	4♦ N+1	♥A	150	6 2		1 11	2♠ N =	♥10	110	3 5	
3 15	3♦ N+1	♥A	130	1 7		5 14	2♠ N =	♦7	110	3 5	
5 14	3♦ N+1	♥A	130	1 7		3 15	3♦ O -1	♠A	50	0 8	

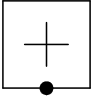
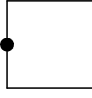
<p>3 AD652 R109 R63 A5</p> <p>R7 V943 --- AV853 V8754  A D109876 V32 108 D7642 D1092 R4</p>					<p>4 A10982 A9654 83 8</p> <p>V654 RD7 V32  R10 V106 RD97542 954 D 3 D87 A ARV107632</p>				
Paire	Contrat	Ent	Résultat	Score	Paire	Contrat	Ent	Résultat	Score
3 15	2 <sup>♠</sup> N =	♦ A	110	8 0	1 11	6 <sup>♠</sup> S =	♠ V	1370	8 0
1 11	1 <sup>♠</sup> N =	♥ A	80	6 2	3 15	5 <sup>♠</sup> S =	♦ V	600	5 3
4 12	2 <sup>♠</sup> N -1	♣ V	-50	4 4	4 12	5 <sup>♠</sup> S =	♦ V	600	5 3
2 13	2S S -2	♣ 6	-100	1 7	2 13	4 <sup>♠</sup> S +1	♦ V	150	2 6
5 14	3S S -2	♣ 6	-100	1 7	5 14	4 <sup>♦</sup> E -1	♠ A	100	0 8
<p>5 D976 D8432 2 D52</p> <p>RV108 432 65  AV10 AV943 RD876 43 76 A5 R97 105 ARV1098</p>					<p>6 AV74 RD87 V6 D107</p> <p>986 D1052 10  V9643 ARD94 52 AR98 V5 R3 A52 10873 6432</p>				
Paire	Contrat	Ent	Résultat	Score	Paire	Contrat	Ent	Résultat	Score
2 13	4 <sup>♥</sup> N =	♣ 6	620	8 0	3 14	2 <sup>♠</sup> O -1	♥ 8	100	7 1
1 11	3 <sup>♥</sup> N +1	♦ 6	170	6 2	4 11	2 <sup>♦</sup> O -1	♥ R	100	7 1
3 15	4 <sup>♦</sup> O -2	♠ 2	100	4 4	1 15	2 <sup>♠</sup> O =	♦ 6	-90	3 5
4 12	3 <sup>♦</sup> O -1	♣ D	50	2 6	5 13	2 <sup>♠</sup> O =	♥ R	-90	3 5
5 14	4 <sup>♥</sup> N -1	♦ R	-100	0 8	2 12	2S O =	♥ 7	-120	0 8

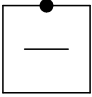
<p>7 AD10 A63 973 D1072</p> <p>V72 843 V9754 RD2 AR86 V52 9 RV85</p> <p>R965 108 D104 A643</p> 					<p>8 AV109 874 V96 D62</p> <p>87542 RD6 D53 R109 D2 7543 1085 V73</p> <p>3 AV62 AR108 AR94</p> 				
Paire	Contrat	Ent	Résultat	Score	Paire	Contrat	Ent	Résultat	Score
1 15	1 <sup>♠</sup> S +1	♦A	110	7 1	4 11	3S S +1	♠7	430	7 1
4 11	1 <sup>♠</sup> S +1	♣9	110	7 1	5 13	3S S +1	♠8	430	7 1
2 12	1S N =	♠8	90	2 6	2 12	3S S =	♦7	400	3 5
3 14	1S N =	♣5	90	2 6	3 14	3S S =	♥3	400	3 5
5 13	1S N =	♣5	90	2 6	1 15	3S S -1	♥3	-50	0 8
<p>9 RD32 R104 107 V1074</p> <p>A985 V1074 DV2 63 R84 ADV53 R98 63</p> <p>6 A9875 962 AD52</p> 					<p>10 A106 R752 R432 R4</p> <p>RD9 V842 983 AV64 D976 10 D75 V1032</p> <p>753 D10 AV85 A986</p> 				
Paire	Contrat	Ent	Résultat	Score	Paire	Contrat	Ent	Résultat	Score
1 15	2 <sup>♠</sup> E -1	♥A	100	7 1	1 15	2♦ N +1	♣V	110	7 1
2 12	3S O -1	♠2	100	7 1	4 11	1♦ N +2	♦10	110	7 1
3 14	2 <sup>♠</sup> E =	♥A	-110	2 6	3 14	2♦ N =	♠8	90	4 4
4 11	1 <sup>♠</sup> E +1	♣A	-110	2 6	5 13	3S S -1	♦6	-100	2 6
5 13	2 <sup>♠</sup> E =	♥A	-110	2 6	2 12	3S S -2	♦6	-200	0 8

<p>11 AD9 A108 ARV9 D75</p> <p>875 R42 65 RV942 D10862  74 1062 AV3</p> <p>V1063 D73 53 R984</p>	<p>12 DV107 AD7 A9653 8</p> <p>63 R95 109632  RV54 R2 DV104 A964 V3</p> <p>A842 8 87 RD10752</p>																																																												
<table border="1"> <thead> <tr> <th>Paire</th> <th>Contrat</th> <th>Ent</th> <th>Résultat</th> <th>Score</th> </tr> </thead> <tbody> <tr> <td>3 13</td> <td>3S N +2</td> <td>♥9</td> <td>460</td> <td>8 0</td> </tr> <tr> <td>2 11</td> <td>3S N +1</td> <td>♥9</td> <td>430</td> <td>6 2</td> </tr> <tr> <td>4 15</td> <td>3S N =</td> <td>♥4</td> <td>400</td> <td>3 5</td> </tr> <tr> <td>5 12</td> <td>3S N =</td> <td>♥4</td> <td>400</td> <td>3 5</td> </tr> <tr> <td>1 14</td> <td>2S N -1</td> <td>♥4</td> <td>-50</td> <td>0 8</td> </tr> </tbody> </table>	Paire	Contrat	Ent	Résultat	Score	3 13	3S N +2	♥9	460	8 0	2 11	3S N +1	♥9	430	6 2	4 15	3S N =	♥4	400	3 5	5 12	3S N =	♥4	400	3 5	1 14	2S N -1	♥4	-50	0 8	<table border="1"> <thead> <tr> <th>Paire</th> <th>Contrat</th> <th>Ent</th> <th>Résultat</th> <th>Score</th> </tr> </thead> <tbody> <tr> <td>4 15</td> <td>4♠ S +1</td> <td>♥10</td> <td>650</td> <td>8 0</td> </tr> <tr> <td>1 14</td> <td>4♠ S =</td> <td>♥2</td> <td>130</td> <td>6 2</td> </tr> <tr> <td>2 11</td> <td>2♠ S =</td> <td>♥10</td> <td>110</td> <td>4 4</td> </tr> <tr> <td>3 13</td> <td>3S N -1</td> <td>♥4</td> <td>-100</td> <td>1 7</td> </tr> <tr> <td>5 12</td> <td>4♠ S -1</td> <td>♥10</td> <td>-100</td> <td>1 7</td> </tr> </tbody> </table>	Paire	Contrat	Ent	Résultat	Score	4 15	4♠ S +1	♥10	650	8 0	1 14	4♠ S =	♥2	130	6 2	2 11	2♠ S =	♥10	110	4 4	3 13	3S N -1	♥4	-100	1 7	5 12	4♠ S -1	♥10	-100	1 7
Paire	Contrat	Ent	Résultat	Score																																																									
3 13	3S N +2	♥9	460	8 0																																																									
2 11	3S N +1	♥9	430	6 2																																																									
4 15	3S N =	♥4	400	3 5																																																									
5 12	3S N =	♥4	400	3 5																																																									
1 14	2S N -1	♥4	-50	0 8																																																									
Paire	Contrat	Ent	Résultat	Score																																																									
4 15	4♠ S +1	♥10	650	8 0																																																									
1 14	4♠ S =	♥2	130	6 2																																																									
2 11	2♠ S =	♥10	110	4 4																																																									
3 13	3S N -1	♥4	-100	1 7																																																									
5 12	4♠ S -1	♥10	-100	1 7																																																									
<p>13 A8 R643 RDV2 V53</p> <p>6532 RV4 D87  92 10965 A73 64 AR1087</p> <p>D1097 AV105 84 D92</p>	<p>14 82 AD9 A9865 D74</p> <p>AD4 V753 R862  V7543 --- 7 V109653 AR2</p> <p>R1096 10 RDV10432 8</p>																																																												
<table border="1"> <thead> <tr> <th>Paire</th> <th>Contrat</th> <th>Ent</th> <th>Résultat</th> <th>Score</th> </tr> </thead> <tbody> <tr> <td>3 13</td> <td>3♥ S =</td> <td>♠6</td> <td>140</td> <td>8 0</td> </tr> <tr> <td>1 14</td> <td>2♥ N =</td> <td>♠A</td> <td>110</td> <td>6 2</td> </tr> <tr> <td>2 11</td> <td>2S S -1</td> <td>♠2</td> <td>-100</td> <td>2 6</td> </tr> <tr> <td>4 15</td> <td>3♥ S -1</td> <td>♠4</td> <td>-100</td> <td>2 6</td> </tr> <tr> <td>5 12</td> <td>2♥ S -1</td> <td>♠6</td> <td>-100</td> <td>2 6</td> </tr> </tbody> </table>	Paire	Contrat	Ent	Résultat	Score	3 13	3♥ S =	♠6	140	8 0	1 14	2♥ N =	♠A	110	6 2	2 11	2S S -1	♠2	-100	2 6	4 15	3♥ S -1	♠4	-100	2 6	5 12	2♥ S -1	♠6	-100	2 6	<table border="1"> <thead> <tr> <th>Paire</th> <th>Contrat</th> <th>Ent</th> <th>Résultat</th> <th>Score</th> </tr> </thead> <tbody> <tr> <td>5 12</td> <td>4♦ S =</td> <td>♠V</td> <td>130</td> <td>8 0</td> </tr> <tr> <td>1 14</td> <td>5♦ N -1</td> <td>♠A</td> <td>-50</td> <td>3 5</td> </tr> <tr> <td>2 11</td> <td>5♦ N -1</td> <td>♠A</td> <td>-50</td> <td>3 5</td> </tr> <tr> <td>3 13</td> <td>5♦ S -1</td> <td>♠V</td> <td>-50</td> <td>3 5</td> </tr> <tr> <td>4 15</td> <td>5♦ N -1</td> <td>♠A</td> <td>-50</td> <td>3 5</td> </tr> </tbody> </table>	Paire	Contrat	Ent	Résultat	Score	5 12	4♦ S =	♠V	130	8 0	1 14	5♦ N -1	♠A	-50	3 5	2 11	5♦ N -1	♠A	-50	3 5	3 13	5♦ S -1	♠V	-50	3 5	4 15	5♦ N -1	♠A	-50	3 5
Paire	Contrat	Ent	Résultat	Score																																																									
3 13	3♥ S =	♠6	140	8 0																																																									
1 14	2♥ N =	♠A	110	6 2																																																									
2 11	2S S -1	♠2	-100	2 6																																																									
4 15	3♥ S -1	♠4	-100	2 6																																																									
5 12	2♥ S -1	♠6	-100	2 6																																																									
Paire	Contrat	Ent	Résultat	Score																																																									
5 12	4♦ S =	♠V	130	8 0																																																									
1 14	5♦ N -1	♠A	-50	3 5																																																									
2 11	5♦ N -1	♠A	-50	3 5																																																									
3 13	5♦ S -1	♠V	-50	3 5																																																									
4 15	5♦ N -1	♠A	-50	3 5																																																									

15	R532 D32 V106 V32					16	9 RD854 75 DV1042				
10987 9654 R43 85		V ARV7 AD82 AD64				1042 2 D1032 AR986		RV875 AV76 A6 75			
	AD64 108 975 R1097						AD63 1093 RV984 3				
Paire	Contrat	Ent	Résultat	Score	Paire	Contrat	Ent	Résultat	Score		
1 14	1♦ O +3	♠5	-130	7 1	1 13	4♠ E -3	♣3	300	8 0		
4 15	1♦ E +3	♣9	-130	7 1	4 14	2♠ E +1	♣3	-140	5 3		
5 12	3♥ O =	♠2	-140	4 4	5 11	3♠ E =	♣3	-140	5 3		
2 11	2S E +1	♣7	-150	2 6	2 15	4♠ E =	♣3	-620	1 7		
3 13	3S E =	♣9	-400	0 8	3 12	4♠ E =	♦8	-620	1 7		
17	964 D105 7432 R32					18	6 AD1095 854 6542				
10732 92 A95 9875		ARV5 A7643 R AV4				A102 8732 AV76 DV		D9753 R4 D93 R107			
	D8 RV8 DV1086 D106						RV84 V6 R102 A983				
Paire	Contrat	Ent	Résultat	Score	Paire	Contrat	Ent	Résultat	Score		
2 15	2♦ S -2	♥9	-100	8 0	1 13	1S S +2	♠A	150	8 0		
1 13	2♠ O +1	♥5	-140	4 4	3 12	1♠ E +1	♣A	-110	5 3		
3 12	1♥ E +2	♦D	-140	4 4	5 11	2♠ E =	♥V	-110	5 3		
5 11	1♥ E +2	♦D	-140	4 4	2 15	2♠ E +1	♥V	-140	1 7		
4 14	1♥ E +3	♦D	-170	0 8	4 14	2♠ E +1	♣A	-140	1 7		

<p>19 AD AV8 R873 9852</p> <p>107 D4  R98653 AV954 953 AD103 D 764</p> <p>V42 R10762 1062 RV</p>					<p>20 D6 R9532 R765 R3</p> <p>52 D107  R109 D A64 V942 AV107642 D85</p> <p>AV8743 V8 A1083 9</p>				
Paire	Contrat	Ent	Résultat	Score	Paire	Contrat	Ent	Résultat	Score
1 13	2♠ E -2	♥10	200	8 0	1 13	5♠ O -4	♠6	400	8 0
4 14	2♥ S -1	♠10	-50	6 2	3 12	3♠ S +1	♦D	170	6 2
2 15	2♠ O =	♠A	-90	4 4	2 15	3♠ S =	♠A	140	2 6
3 12	2♥ S -2	♠7	-100	2 6	4 14	3♠ S =	♦D	140	2 6
5 11	2♠ E +1	♥6	-140	0 8	5 11	2♠ S +1	♠A	140	2 6
<p>21 D10964 R3 A ARV87</p> <p>A7 85 76  AD1094 R1086 V9743 D10432 6</p> <p>RV32 V852 D52 95</p>					<p>22 10543 --- D106 AR10652</p> <p>A76 RV DV8732  64 872 ARV54 D V873</p> <p>D982 AR1095 93 94</p>				
Paire	Contrat	Ent	Résultat	Score	Paire	Contrat	Ent	Résultat	Score
2 14	4♠ N +1	♠6	650	7 1	1 12	3♦ E -1	♥A	100	8 0
3 11	4♠ N +1	♠6	650	7 1	3 11	3♠ N -1	♦A	-50	6 2
1 12	4♠ N =	♠6	620	4 4	5 15	1S O =	♠A	-90	4 4
4 13	4♠ N -1	♠6	-100	1 7	2 14	2♦ E +1	♠9	-110	1 7
5 15	4♠ N -1	♠6	-100	1 7	4 13	2♦ E +1	♥A	-110	1 7

23	D3 D98653 AD1074 ---					24	RV53 D95 RDV10 107			
A106 V2 RV3 A10873		V72 107 98652 RV4				D109 RV8732 A D43		42 A6 98754 AV86		
	R9854 AR4 ---						A876 104 632 R952			
Paire	Contrat	Ent	Résultat	Score	Paire	Contrat	Ent	Résultat	Score	
2 14	4♥ N +1	♦6	650	8 0	1 12	3♥ O -1	*7	50	7 1	
5 15	4♥ N =	*4	620	6 2	2 14	3♥ O -1	♦R	50	7 1	
3 11	2♥ N +4	♦9	230	4 4	3 11	2♥ O =	♦10	-110	4 4	
4 13	3♥ N +1	*4	170	2 6	4 13	2♥ O +1	♦R	-140	1 7	
1 12	2♥ N +1	*R	140	0 8	5 15	3♥ O =	*R	-140	1 7	

25	AR8 V10864 8 DV73				
D72 ARD3 A1094 98		10654 2 RV3 R10642			
	V93 975 D7652 A5				
Paire	Contrat	Ent	Résultat	Score	
3 11	2♥ N +1	*6	140	8 0	
2 14	1S O -1	♥4	100	5 3	
4 13	2S O -1	♥6	100	5 3	
1 12	2♥ N -1	*10	-50	2 6	
5 15	2S O +1	♥6	-150	0 8	