

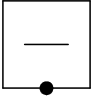
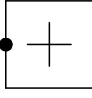
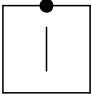
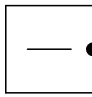
2023-10-11 mitchell

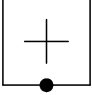
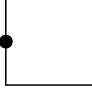
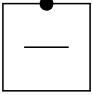
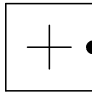
Résultat final

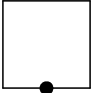
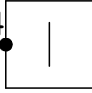
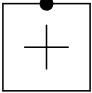
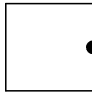
4 tables, 8 paires. Nombre de donnes: 24. Moyenne: 72.

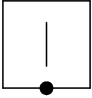
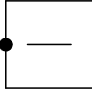
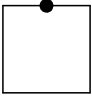
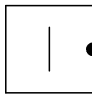
	Paire	%	Nom
N-S	1	63,9	Alain D AUX - Pierre TANGUY
	2	59,0	Sophie D AUX - Philippe NOISETTE
	4	44,4	Martine JACQ - Daniel JACQ
	3	32,6	Yvonne DELEMOTTE - Eric PERSON
E-O	11	54,2	Pascale NOBILE - Claude NOBILE
	13	49,3	Jean Pierre BREAU - Nicole BREAU
	14	49,3	Claude NICOT - Marie Lou VERGNE
	12	47,2	Anne Marie GOURRET - Jeanne FAOU

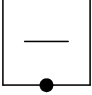
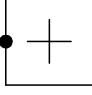
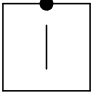
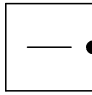
1	RD874	2	962						
5		A9							
AV1094		1082							
87		V10863							
V5	A3	A7	1085						
1098	DV7432	8543	RV72						
D852	R3	V95	D73						
D1065	R92	ARD7	942						
10962		RDV43							
AR6		D106							
76		AR64							
AV43		5							
Paire	Contrat	Ent	Résultat	Score	Paire	Contrat	Ent	Résultat	Score
1 11	4♠ N +1	♥7	450	6 0	1 11	2♠ S +1	♥2	140	5 1
4 14	4♥ E -2	♠10	100	4 2	2 13	3♠ S =	♣A	140	5 1
2 13	2♥ E =	♠6	-110	1 5	3 12	2♥ E -1	♠R	50	2 4
3 12	2♥ E =	♦6	-110	1 5	4 14	3♠ S -2	♣A	-200	0 6

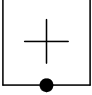
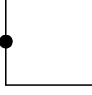
<p>3 R63 10 D8642 V1042</p> <p>542 V87 A843 RDV9762 R95  --- AD7 853</p> <p>AD109 5 AV1073 R96</p>					<p>4 A1097643 98 32 85</p> <p>V5 D2 DV1073  A62 1095 ARV RD4 V10732</p> <p>R8 R54 D8764 A96</p>				
Paire	Contrat	Ent	Résultat	Score	Paire	Contrat	Ent	Résultat	Score
1 11	4♥ x E -1	♥5	200	6 0	4 14	4♥ O -2	♠A	200	6 0
2 13	4♥ E -1	♥5	100	4 2	2 13	4♥ E -1	♦6	100	4 2
3 12	6♦ S -2	♥A	-100	2 4	1 11	2♥ E +1	♦4	-140	1 5
4 14	4♥ E =	♦A	-620	0 6	3 12	3♠ O =	♠A	-140	1 5
<p>5 A2 AV108762 1096 R</p> <p>9764 RD108 R4  D95 742 V8 A743 D1085</p> <p>V53 3 ARD53 V962</p>					<p>6 AD82 10432 852 94</p> <p>V76 1095 D85  A76 RV7 D10 ARD6 V10832</p> <p>R43 RV9 A9643 75</p>				
Paire	Contrat	Ent	Résultat	Score	Paire	Contrat	Ent	Résultat	Score
1 11	3S S =	♠4	600	5 1	1 11	2♦ S +2	♠A	130	6 0
3 12	3S S =	♠3	600	5 1	2 13	1S O +1	♠2	-120	3 3
4 14	2♥ N +3	♠R	200	2 4	4 14	1S O +1	♠8	-120	3 3
2 13	2♥ N +2	♠R	170	0 6	3 12	1S O +2	♥10	-150	0 6

7	ADV92 94 V1076 R9					8	102 D85432 D107 108				
75	A10732 A85 A87		84 R865 RD432 65			7	RV106 RV82 RD72		A4 A97 943 AV654		
	R1063 DV 9 DV10432						RDV98653 --- A65 93				
Paire	Contrat	Ent	Résultat	Score	Paire	Contrat	Ent	Résultat	Score		
1 14	2 [♠] N +1	♥R	140	5 1	2 12	6 [♠] O -1	♠10	50	6 0		
4 13	3 [♠] N =	♥R	140	5 1	1 14	4 [♠] x S -1	*R	-100	4 2		
2 12	4 [♥] O =	♠A	-620	1 5	4 13	5 [♠] x S -2	♥V	-300	2 4		
3 11	4 [♠] O =	♦V	-620	1 5	3 11	5 [♠] O =	♠10	-400	0 6		
9	7632 AR973 ---					10	1052 R102 A107 V632				
A54 V84 A9876 A5		R10 62 D1043 D10764			R6 V7654 862 AR7		94 AD93 RDV 9854				
	DV98 D105 RV52 93					ADV873 8 9543 D10					
Paire	Contrat	Ent	Résultat	Score	Paire	Contrat	Ent	Résultat	Score		
1 14	2 [♥] N +1	♠10	140	4 2	2 12	4 [♥] E -1	♠A	100	6 0		
3 11	3 [♥] N =	♦4	140	4 2	3 11	3 [♠] S -1	*A	-100	4 2		
4 13	2 [♥] N +1	♦D	140	4 2	4 13	3 [♥] E +1	♠A	-170	2 4		
2 12	3 [♥] N -2	♦D	-100	0 6	1 14	4 [♠] S -3	♥V	-300	0 6		

<p>11 R764 AR653 AR A10</p> <p>D952 A83 2  1074 V107 862 R7632 V984</p> <p>V10 DV98 D9543 D5</p>	<p>12 R642 97 R92 9876</p> <p>V A975 ARV1064  D82 643 875 R105 A43</p> <p>D1083 53 ADV10 DV2</p>																																																		
<table border="1"> <thead> <tr> <th>Paire</th> <th>Contrat</th> <th>Ent</th> <th>Résultat</th> <th>Score</th> </tr> </thead> <tbody> <tr> <td>2 12</td> <td>5♥ N +1</td> <td>*8</td> <td>480</td> <td>5 1</td> </tr> <tr> <td>4 13</td> <td>4♥ N +2</td> <td>♦8</td> <td>480</td> <td>5 1</td> </tr> <tr> <td>1 14</td> <td>4S N +1</td> <td>*4</td> <td>460</td> <td>2 4</td> </tr> <tr> <td>3 11</td> <td>3S N +1</td> <td>*9</td> <td>430</td> <td>0 6</td> </tr> </tbody> </table>	Paire	Contrat	Ent	Résultat	Score	2 12	5♥ N +1	*8	480	5 1	4 13	4♥ N +2	♦8	480	5 1	1 14	4S N +1	*4	460	2 4	3 11	3S N +1	*9	430	0 6	<table border="1"> <thead> <tr> <th>Paire</th> <th>Contrat</th> <th>Ent</th> <th>Résultat</th> <th>Score</th> </tr> </thead> <tbody> <tr> <td>1 14</td> <td>4♥ O -1</td> <td>♥7</td> <td>50</td> <td>4 2</td> </tr> <tr> <td>2 12</td> <td>4♥ O -1</td> <td>*9</td> <td>50</td> <td>4 2</td> </tr> <tr> <td>4 13</td> <td>4♥ O -1</td> <td>*6</td> <td>50</td> <td>4 2</td> </tr> <tr> <td>3 11</td> <td>3♥ O =</td> <td>*9</td> <td>-140</td> <td>0 6</td> </tr> </tbody> </table>	Paire	Contrat	Ent	Résultat	Score	1 14	4♥ O -1	♥7	50	4 2	2 12	4♥ O -1	*9	50	4 2	4 13	4♥ O -1	*6	50	4 2	3 11	3♥ O =	*9	-140	0 6
Paire	Contrat	Ent	Résultat	Score																																															
2 12	5♥ N +1	*8	480	5 1																																															
4 13	4♥ N +2	♦8	480	5 1																																															
1 14	4S N +1	*4	460	2 4																																															
3 11	3S N +1	*9	430	0 6																																															
Paire	Contrat	Ent	Résultat	Score																																															
1 14	4♥ O -1	♥7	50	4 2																																															
2 12	4♥ O -1	*9	50	4 2																																															
4 13	4♥ O -1	*6	50	4 2																																															
3 11	3♥ O =	*9	-140	0 6																																															
<p>13 104 4 D1054 AD7532</p> <p>862 AD73 D76  108 R987 A632 986 V104</p> <p>RV95 ARV9532 V R</p>	<p>14 863 D6 A1076 A542</p> <p>R742 V AR52  V94 83 RV954 R98 V1076</p> <p>AD1095 10873 D2 D3</p>																																																		
<table border="1"> <thead> <tr> <th>Paire</th> <th>Contrat</th> <th>Ent</th> <th>Résultat</th> <th>Score</th> </tr> </thead> <tbody> <tr> <td>2 11</td> <td>4♥ S =</td> <td>♦8</td> <td>620</td> <td>6 0</td> </tr> <tr> <td>3 14</td> <td>2♥ S +1</td> <td>♦7</td> <td>140</td> <td>3 3</td> </tr> <tr> <td>4 12</td> <td>3♥ S =</td> <td>♦9</td> <td>140</td> <td>3 3</td> </tr> <tr> <td>1 13</td> <td>6♥ S -2</td> <td>♦7</td> <td>-200</td> <td>0 6</td> </tr> </tbody> </table>	Paire	Contrat	Ent	Résultat	Score	2 11	4♥ S =	♦8	620	6 0	3 14	2♥ S +1	♦7	140	3 3	4 12	3♥ S =	♦9	140	3 3	1 13	6♥ S -2	♦7	-200	0 6	<table border="1"> <thead> <tr> <th>Paire</th> <th>Contrat</th> <th>Ent</th> <th>Résultat</th> <th>Score</th> </tr> </thead> <tbody> <tr> <td>1 13</td> <td>3♥ E -4</td> <td>♥3</td> <td>200</td> <td>6 0</td> </tr> <tr> <td>2 11</td> <td>2* E =</td> <td>*8</td> <td>-90</td> <td>3 3</td> </tr> <tr> <td>3 14</td> <td>2* O =</td> <td>*8</td> <td>-90</td> <td>3 3</td> </tr> <tr> <td>4 12</td> <td>3* O =</td> <td>*3</td> <td>-110</td> <td>0 6</td> </tr> </tbody> </table>	Paire	Contrat	Ent	Résultat	Score	1 13	3♥ E -4	♥3	200	6 0	2 11	2* E =	*8	-90	3 3	3 14	2* O =	*8	-90	3 3	4 12	3* O =	*3	-110	0 6
Paire	Contrat	Ent	Résultat	Score																																															
2 11	4♥ S =	♦8	620	6 0																																															
3 14	2♥ S +1	♦7	140	3 3																																															
4 12	3♥ S =	♦9	140	3 3																																															
1 13	6♥ S -2	♦7	-200	0 6																																															
Paire	Contrat	Ent	Résultat	Score																																															
1 13	3♥ E -4	♥3	200	6 0																																															
2 11	2* E =	*8	-90	3 3																																															
3 14	2* O =	*8	-90	3 3																																															
4 12	3* O =	*3	-110	0 6																																															

15	RDV10943 97 A8 74					16	AR105 107543 R72 2				
A72 R5 V54 86532		5 ADV832 R1096 R9				D9642 8 V85 V1097		V87 DV6 A10964 A5			
86 1064 D732 ADV10						3 AR92 D3 RD8643					
Paire	Contrat	Ent	Résultat	Score	Paire	Contrat	Ent	Résultat	Score		
1 13	4 [♠] N =	♦6	620	6 0	2 11	4 [♥] N =	♦A	420	6 0		
2 11	3 [♠] N+2	♦10	200	4 2	4 12	3S N =	♥6	400	4 2		
3 14	3 [♥] E +1	♣A	-170	2 4	3 14	2 [♥] N+2	♦A	170	2 4		
4 12	4 [♥] E =	♠6	-420	0 6	1 13	4 [♠] S +1	♥8	150	0 6		
17	R 1065 ADV976 DV7				18	432 AR10 AR AV1092					
642 D9742 3 10942		D10973 A83 R1052 8			V109 V98632 7 R85		A865 D5 D96 D764				
AV85 RV 84 AR653					RD7 74 V1085432 3						
Paire	Contrat	Ent	Résultat	Score	Paire	Contrat	Ent	Résultat	Score		
4 12	3S S +3	♠6	490	6 0	4 12	5 [♦] S =	♥9	600	6 0		
1 13	3S S +1	♠6	430	4 2	1 13	2 [♠] N+2	♥D	130	4 2		
3 14	3S S =	♠2	400	2 4	2 11	3S N -1	♠10	-100	1 5		
2 11	3 [♠] S +1	♥7	130	0 6	3 14	3 [♦] N -1	♠5	-100	1 5		

19	A105 AV2 7654 AR6					20	AR9 RV54 63 AV104				
76		V3				D72		---			
8753		R1064				AD82		10973			
V103		AD98				DV104		AR872			
V983		D42				96		8753			
	RD9842						V1086543				
	D9						6				
	R2						95				
	1075						RD2				
Paire	Contrat	Ent	Résultat	Score		Paire	Contrat	Ent	Résultat	Score	
1 12	4 [♠] S +1	♣3	450	5 1		3 13	4 [♠] S +1	♦D	650	6 0	
3 13	4 [♠] N +1	♥4	450	5 1		1 12	4 [♠] N =	♦A	620	2 4	
2 14	4 [♠] N =	♠3	420	2 4		2 14	4 [♠] S =	♦D	620	2 4	
4 11	2 [♠] S +2	♥3	170	0 6		4 11	4 [♠] N =	♦A	620	2 4	
21	A8 A72 ADV86 943					22	AD862 A654 53 106				
V107		D953				1054		RV9			
83		10954				82		D73			
R1094		73				RD8642		9			
A862		D107				R5		DV8732			
	R642						73				
	RDV6						RV109				
	52						AV107				
	RV5						A94				
Paire	Contrat	Ent	Résultat	Score		Paire	Contrat	Ent	Résultat	Score	
2 14	3S S +1	♣2	630	6 0		2 14	4♥ N =	♦9	420	6 0	
1 12	3S N =	♠3	600	3 3		1 12	3♥ N =	♣V	140	4 2	
4 11	3S N =	♠9	600	3 3		3 13	2♣ E -1	♠3	100	2 4	
3 13	3♥ S +1	♦4	170	0 6		4 11	3S S -1	♦8	-50	0 6	

23	A10632					24	V106			
	R94						9872			
	V						9742			
	AD102						107			
DV7		R954				D53		AR987		
AV		532				RDV10		53		
RD9754		A6				106		RD5		
63		RV75				9842		RD6		
	8						42			
	D10876						A64			
	10832						AV83			
	984						AV53			
Paire	Contrat	Ent	Résultat	Score		Paire	Contrat	Ent	Résultat	Score
1 12	2♦ O +1	♠A	-110	5 1		1 12	4♠ E -1	♠4	50	5 1
2 14	2♦ O +1	♦V	-110	5 1		2 14	4♠ E -1	♠4	50	5 1
4 11	1♠ N -2	♣V	-200	2 4		3 13	3♠ E =	♣3	-140	1 5
3 13	3S E +1	♠8	-630	0 6		4 11	3♠ E =	♣A	-140	1 5