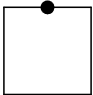
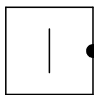
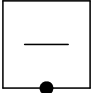
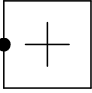
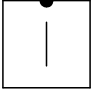
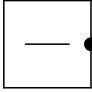


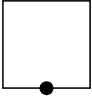
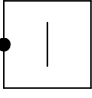
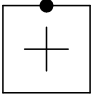
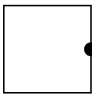
	Paire	%	Nom
N-S	2	57,4	Farida BELBEOC'H - Philippe NOISETTE
	4	56,8	Marie Andrée MARQUET - Pierre TANGUY
	5	52,5	Marie France FACQ - Eric PERSON
	1	51,0	Alain LE BARS - Anne Marie VANDENBULCKE
	3	32,7	Jean Pierre BREAU - Yvonne DELEMOTTE
E-O	14	59,5	Francis CORDIER - Nicole BREAU
	15	55,7	Anne Marie GOURRET - Geneviève DEMAGNY
	13	46,9	Floride COTONEA - Jeanne FAOU
	11	44,2	M ou Mme INVITE(E) - Claude NOBILE
	12	44,0	Martine JACQ - Daniel JACQ

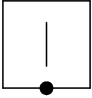
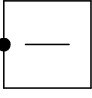
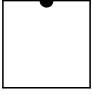
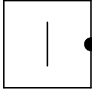
1	RV					2	V92				
	V1063						RV9				
	V865						62				
	V84						109532				
D97652		10843				D1075		R4			
A8		52				42		D87653			
1094		D732				8753		R			
D3		A62				764		RDV8			
	A						A863				
	RD974						A10				
	AR						ADV1094				
	R10975						A				
Paire	Contrat	Ent	Résultat	Score		Paire	Contrat	Ent	Résultat	Score	
1 11	4♥ S +1	♠7	450	6,0 2,0		1 11	3S N +1	♥6	630	8,0 0,0	
2 13	4♥ S +1	♠9	450	6,0 2,0		4 12	2♠ S +2	♦3	170	6,0 2,0	
3 15	4♥ S +1	♠6	450	6,0 2,0		2 13	2♦ S +3	♥4	150	4,0 4,0	
5 14	4♠ S =	♠2	420	2,0 6,0		3 15	3♦ S +1	♥4	130	1,0 7,0	
4 12	6♥ N -1	♣A	-50	0,0 8,0		5 14	3♦ S +1	♥2	130	1,0 7,0	

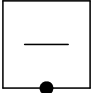
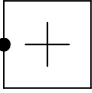
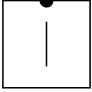
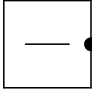
5 tables, 10 paires. Nombre de donnes: 25. Moyenne: 100,0. Score total pondéré (certaines paires («) ont joué moins de donnes que d'autres).

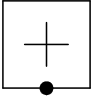
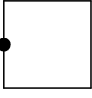
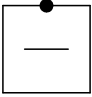
<p>3 1032 RDV54 1086 104</p> <p>R5 DV9876 107  832 R943 V7 RV872 A5</p> <p>A4 A96 AD52 D963</p>							<p>4 R10753 R842 9 V109</p> <p>DV6 9842 AD63  V5 1076 AV5 A65 8732</p> <p>A 1097 RD8432 RD4</p>						
Paire	Contrat	Ent	Résultat	Score	Paire	Contrat	Ent	Résultat	Score				
1 11	2♥ S +2	*7	170	8,0 0,0	4 12	3S S =	*6	600	8,0 0,0				
2 13	2♥ S +1	*8	140	6,0 2,0	2 13	2♥ O -4	♦9	400	6,0 2,0				
4 12	2♥ S =	*8	110	3,0 5,0	1 11	3* O -3	♦9	300	4,0 4,0				
5 14	2♥ S =	♦9	110	3,0 5,0	5 14	2♠ E -2	♦R	200	2,0 6,0				
3 15	3♥ S -1	♠5	-50	0,0 8,0	3 15	2♦ S -1	♠V	-100	0,0 8,0				
<p>5 6542 AR6 V96 D96</p> <p>A1098 RD7 D102  743 10853 R74 108 AR75</p> <p>V3 V985 AD2 V432</p>							<p>6 AD87 52 9 1098543</p> <p>542 --- D763  AV84 V4 RD10853 D762 ARV</p> <p>RV10963 R109 A762 ---</p>						
Paire	Contrat	Ent	Résultat	Score	Paire	Contrat	Ent	Résultat	Score				
4 12	1S E -1	♠V	50	8,0 0,0	5 13	4♠ S +2	♦V	480	8,0 0,0				
1 11	1S E =	♥5	-90	4,0 4,0	1 15	4♠ S =	♦V	420	4,0 4,0				
3 15	1S E =	*2	-90	4,0 4,0	2 12	4♠ S =	♦V	420	4,0 4,0				
5 14	1S E =	♥5	-90	4,0 4,0	3 14	4♠ S =	♦V	420	4,0 4,0				
2 13	1S E +1	♠V	-120	0,0 8,0	4 11	6* E -3	♠V	300	0,0 8,0				

<p>7 A852 4 RD6432 V3</p> <p>D6 V93 96 RD872 987 AV10 ARD1062 98 R1074 AV1053 5 754</p>							<p>8 R542 AR942 R4 109</p> <p>DV103 A98 107 V6 V A98 ARV643 D8752 76 D853 D1076532 ---</p>						
Paire	Contrat	Ent	Résultat	Score	Paire	Contrat	Ent	Résultat	Score				
2 12	2♥ E -2	♦5	200	8,0 0,0	2 12	3♥ N+3	*D	230	8,0 0,0				
1 15	2* O -1	♥4	100	5,0 3,0	4 11	4♥ N -1	*D	-50	6,0 2,0				
4 11	2S O -1	♦R	100	5,0 3,0	1 15	4* O =	♥A	-130	3,0 5,0				
5 13	3* O =	♦R	-110	2,0 6,0	5 13	4* O =	♥A	-130	3,0 5,0				
3 14	2S E +1	♦5	-150	0,0 8,0	3 14	3* O +2	♥A	-150	0,0 8,0				
<p>9 102 9876 RD962 V9</p> <p>A98 D74 A3 RD1042 874 A RD1065 8732 RV653 V5 V1053 A4</p>							<p>10 V4 D986 D83 AD85</p> <p>D9875 3 AV10 R74 106 AR952 1072 R943 AR1062 532 V74 V6</p>						
Paire	Contrat	Ent	Résultat	Score	Paire	Contrat	Ent	Résultat	Score				
4 11	3S O -2	♦6	200	8,0 0,0	1 15	1♠ E -1	♠6	100	7,0 1,0				
1 15	3* O =	♠10	-110	6,0 2,0	5 13	1S E -1	♠A	100	7,0 1,0				
2 12	2* O +2	♠10	-130	4,0 4,0	4 11	1S E =	♠A	-90	4,0 4,0				
3 14	2* O +3	♠10	-150	1,0 7,0	2 12	2♥ S -2	♦10	-200	1,0 7,0				
5 13	1S E +2	♠5	-150	1,0 7,0	3 14	1S N -2	♦A	-200	1,0 7,0				

11	AV9 R742 V83 A75									
D10543 V1085 D97 6		R876 9 R65 V10943								
	2 AD63 A1042 RD82									
Paire	Contrat	Ent	Résultat	Score	Paire	Contrat	Ent	Résultat	Score	
5 12	4♥ N =	♠7	420	8,0 0,0	5 12	1S O -3	♥6	150	8,0 0,0	
3 13	3S S =	♠5	400	6,0 2,0	2 11	1S S +1	♥2	120	6,0 2,0	
2 11	4♥ N -1	*V	-50	3,0 5,0	4 15	2* O -2	♥6	100	4,0 4,0	
4 15	4♥ N -1	♠7	-50	3,0 5,0	1 14	1S S -1	♦4	-100	1,0 7,0	
1 14	5♥ N -2	*3	-100	0,0 8,0	3 13	2S S -1	*R	-100	1,0 7,0	
12	D96 D986 D97 V64									
V2 RV2 V104 AR1072		A1085 754 8632 85								
	R743 A103 AR5 D93									
Paire	Contrat	Ent	Résultat	Score	Paire	Contrat	Ent	Résultat	Score	
5 12	4♥ N =	♠7	420	8,0 0,0	5 12	1S O -3	♥6	150	8,0 0,0	
3 13	3S S =	♠5	400	6,0 2,0	2 11	1S S +1	♥2	120	6,0 2,0	
2 11	4♥ N -1	*V	-50	3,0 5,0	4 15	2* O -2	♥6	100	4,0 4,0	
4 15	4♥ N -1	♠7	-50	3,0 5,0	1 14	1S S -1	♦4	-100	1,0 7,0	
1 14	5♥ N -2	*3	-100	0,0 8,0	3 13	2S S -1	*R	-100	1,0 7,0	
13	102 A5 107652 RD94									
A93 974 RV43 1076		V875 RV86 AD 852								
	RD64 D1032 98 AV3									
Paire	Contrat	Ent	Résultat	Score	Paire	Contrat	Ent	Résultat	Score	
2 11	2♦ O -2	♥A	200	8,0 0,0	3 13	2♥x E -3	♠6	500	8,0 0,0	
1 14	1S N +1	♥6	120	6,0 2,0	5 12	2♥ E -3	♠6	150	6,0 2,0	
3 13	1S N =	♥6	90	4,0 4,0	2 11	2♠ N +1	♥A	140	4,0 4,0	
4 15	2S S -1	♦3	-100	1,0 7,0	1 14	2♠ N =	♥A	110	2,0 6,0	
5 12	1S N -1	♥6	-100	1,0 7,0	4 15	3♥x E -1	♥7	100	0,0 8,0	
14	AR853 RV2 R4 D108									
V10742 6 10953 R53		D AD8543 DV8 764								
	96 1097 A762 AV92									
Paire	Contrat	Ent	Résultat	Score	Paire	Contrat	Ent	Résultat	Score	
2 11	2♦ O -2	♥A	200	8,0 0,0	3 13	2♥x E -3	♠6	500	8,0 0,0	
1 14	1S N +1	♥6	120	6,0 2,0	5 12	2♥ E -3	♠6	150	6,0 2,0	
3 13	1S N =	♥6	90	4,0 4,0	2 11	2♠ N +1	♥A	140	4,0 4,0	
4 15	2S S -1	♦3	-100	1,0 7,0	1 14	2♠ N =	♥A	110	2,0 6,0	
5 12	1S N -1	♥6	-100	1,0 7,0	4 15	3♥x E -1	♥7	100	0,0 8,0	

15	RD5 RV10432 53 AV									
V96		A1087432								
D75		96								
V97		D862								
10753		---								
	---									
	A8									
	AR104									
	RD98642									
Paire	Contrat	Ent	Résultat	Score						
2 11	4S S +2	♠6	690	7,8 0,3						
1 14	5* S +1	♠6	620	4,0 4,0						
5 12	5* S +1	♠V	620	4,0 4,0						
3 13	5* S =	♠V	600	0,3 7,8						
16	A 84 ARD94 V10932									
DV985		R762								
AV6		R952								
32		V876								
RD8		A								
	1043									
	D1073									
	105									
	7654									
Paire	Contrat	Ent	Résultat	Score						
5 11	Pass		0	8,0 0,0						
4 14	3♥ S -4	♦2	-200	6,0 2,0						
1 13	4♠ O =	♦A	-620	2,0 6,0						
2 15	4♠ O =	♦A	-620	2,0 6,0						
3 12	4♠ O =	♦A	-620	2,0 6,0						
17	DV 85 A1054 A10862									
87		R109432								
ARD43		76								
D976		R8								
D9		R54								
	A65									
	V1092									
	V32									
	V73									
Paire	Contrat	Ent	Résultat	Score						
3 12	3♥ O -1	*A	50	8,0 0,0						
5 11	Pass		0	6,0 2,0						
2 15	2♠ E =	♥V	-110	3,0 5,0						
4 14	2♠ E =	♥V	-110	3,0 5,0						
1 13	2S E =	♥V	-120	0,0 8,0						
18	952 A73 A10732 D6									
A		1043								
RD106		V952								
865		RDV4								
RV754		82								
	RDV876									
	84									
	9									
	A1093									
Paire	Contrat	Ent	Résultat	Score						
4 14	4♠ S =	*5	620	8,0 0,0						
1 13	3♠ S =	*5	140	6,0 2,0						
2 15	2♠ S =	♥D	110	4,0 4,0						
3 12	3♥ O -1	♠9	50	2,0 6,0						
5 11	Pass		0	0,0 8,0						

19	ADV1095 4 A984 106									
R632		874								
AR109		83								
R6		V10								
D53		ARV982								
	---									
	DV7652									
	D7532									
	74									
Paire	Contrat	Ent	Résultat	Score	Paire	Contrat	Ent	Résultat	Score	
4 14	2♦ S +1	*3	110	8,0 0,0	1 13	4♠ S +1	*R	650	6,0 2,0	
5 11	Pass		0	6,0 2,0	2 15	4♠ S +1	♦A	650	6,0 2,0	
1 13	3* O =	♥4	-110	4,0 4,0	3 12	4♠ S +1	*R	650	6,0 2,0	
2 15	4* E =	♥D	-130	1,0 7,0	4 14	4♠ S =	♦A	620	2,0 6,0	
3 12	3* O +1	♥4	-130	1,0 7,0	5 11	Pass		0	0,0 8,0	
20	AR64 AR73 R765 V									
V8		32								
10964		V82								
A		942								
RD10973		A8542								
	D10975									
	D5									
	DV1083									
	6									
21	1053 D ARD96 D1084									
742		ARV								
---		ARV86								
1075432		V								
ARV9		7653								
	D986									
	10975432									
	8									
	2									
Paire	Contrat	Ent	Résultat	Score	Paire	Contrat	Ent	Résultat	Score	
2 14	2♥ E -2	♦8	100	8,0 0,0	1 12	4♥ S +1	♠4	450	5,0 3,0	
3 11	2♥ E -1	♦8	50	5,0 3,0	2 14	4♥ S +1	♠3	450	5,0 3,0	
5 15	2♠ E -1	♦8	50	5,0 3,0	4 13	4♥ S +1	♠3	450	5,0 3,0	
4 13	1♥ E =	♥2	-80	2,0 6,0	5 15	4♥ S +1	♠3	450	5,0 3,0	
1 12	2S O +2	♦A	-180	0,0 8,0	3 11	4♥ S =	♦A	420	0,0 8,0	
22	87 AV97 RD105 A73									
D643		A92								
1063		4								
A7		V98632								
10965		842								
	RV105									
	RD852									
	4									
	RDV									

23	R10653 V7 V105 D32									
8	AD									
AD10		98652								
D876		A942								
A8754		R6								
	V9742									
	R43									
	R3									
	V109									
Paire	Contrat	Ent	Résultat	Score						
1 12	2S E -2	♠4	200	8,0 0,0						
5 15	4♥ E -1	♣V	100	6,0 2,0						
4 13	3♦ O +1	♠R	-130	4,0 4,0						
3 11	3♥ E +2	♠4	-200	2,0 6,0						
2 14	3S O =	♠5	-600	0,0 8,0						
24	AD 10743 --- ARV10963									
RV9754	AD	83								
R5		A982								
RD62		AV7								
8		D742								
	1062									
	DV6									
	1098543									
	5									
Paire	Contrat	Ent	Résultat	Score						
4 13	5♠ N -2	♠8	-100	8,0 0,0						
5 15	3♠ O =	♣A	-140	6,0 2,0						
1 12	2♠ O +2	♣A	-170	3,0 5,0						
2 14	2♠ O +2	♣A	-170	3,0 5,0						
3 11	4♠ O =	♣A	-420	0,0 8,0						
25	D986 AR965 5 A43									
1054	R7									
102		V8								
V83		RD10642								
RV1096		875								
	AV32									
	D743									
	A97									
	D2									
Paire	Contrat	Ent	Résultat	Score						
2 14	4♥ N +2	♦10	480	7,0 1,0						
4 13	4♥ N +2	♦2	480	7,0 1,0						
3 11	4♥ N +1	♦R	450	3,0 5,0						
5 15	4♥ N +1	♦R	450	3,0 5,0						
1 12	4♥ N =	♦R	420	0,0 8,0						