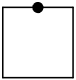
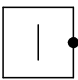
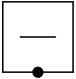
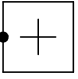
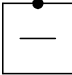
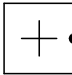

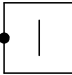
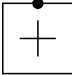
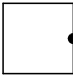


Paire	%	Nom	N° adhérent
1	70,8	Geneviève DEMAGNY - Alain LE BARS	49 2
5	61,1	Jean Pierre BREAU - Nicole BREAU	29 28
7	56,9	Claude NOBILE - Pascale NOBILE	58 57
9	52,4	Anne FAURE - Anne Marie VANDENBULCKE	53 3
2	50,0	Floride COTONEA - Jeanne FAOU	4 6
6	50,0	Francis CORDIER - Pierrette ALLARD	37 35
10	46,4	Catherine HEINTZ - Françoise BRIAND	33 46
4	41,7	Philippe NOISETTE - Eric PERSON	48 30
3	20,8	Jean Pierre MARQUET - Marie Andrée MARQUET	44 43

1 1086 RD72 876 765 A9 AV985 RD93 108  DV4 1043 42 AD942		2 D84 R975 V8 AR76 V D1042 7542 V852  R1062 8 AD963 1094	
Paire Contrat Ent Résultat Score 4 2 3Sx E -1 ♣4 100 6,0 0,0 3 6 3S E -1 ♣4 50 3,0 3,0 10 5 3S E -1 ♣4 50 3,0 3,0 7 9 3S O = ♦6 -400 0,0 6,0		Paire Contrat Ent Résultat Score 10 5 3S N = ♠3 600 6,0 0,0 4 2 2♦ S +2 ♠V 130 4,0 2,0 7 9 1S O -1 ♣A 50 2,0 4,0 3 6 1♠ E = ♦6 -80 0,0 6,0	
3 DV10874 A10754 --- R5 93 DV2 6543 10876  AR65 R A92 AV932		4 A84 8 108543 D1097 732 DV9 A9 AV853  D10965 R764 R7 R4	
Paire Contrat Ent Résultat Score 5 3 6♠ N +1 ♦10 1010 6,0 0,0 4 7 5♠ N +2 ♦R 510 2,0 4,0 9 1 4♠ N +3 ♥9 510 2,0 4,0 10 6 4♠ S +3 ♦6 510 2,0 4,0		Paire Contrat Ent Résultat Score 5 3 2S O -4 ♠4 400 6,0 0,0 9 1 2♠ S +1 ♥V 140 4,0 2,0 10 6 2♥ E = ♥4 -110 2,0 4,0 4 7 3♠ N -2 ♣6 -200 0,0 6,0	

<p>5</p> <p>983 10962 3 AR1087</p> <p>D62 D43 RD82 V32</p> <p>AV5 AR85 A10654 6</p> <p>R1074 V7 V97 D954</p> <p>Paire Contrat Ent Résultat Score</p> <p>2 9 3S O -1 ♠A 50 6,0 0,0</p> <p>5 1 3♦ E +2 ♠4 -150 2,0 4,0</p> <p>6 4 3♦ E +2 ♠4 -150 2,0 4,0</p> <p>10 7 2S O +1 ♥2 -150 2,0 4,0</p>	<p>6</p> <p>RV873 54 R63 A72</p> <p>A105 D872 4 D10964</p> <p>92 10963 ADV975 3</p> <p>D64 ARV 1082 RV85</p> <p>Paire Contrat Ent Résultat Score</p> <p>5 1 2♠ N +1 ♠3 140 6,0 0,0</p> <p>2 9 3S S -1 ♥2 -50 3,0 3,0</p> <p>6 4 2♠ N -1 ♦A -50 3,0 3,0</p> <p>10 7 4♠ N -3 ♠3 -150 0,0 6,0</p>
<p>7</p> <p>R65 V864 963 AD5</p> <p>1072 R1095 D2 V932</p> <p>DV843 D7 754 864</p> <p>A9 A32 ARV108 R107</p> <p>Paire Contrat Ent Résultat Score</p> <p>7 5 3S S +2 ♠7 660 5,0 1,0</p> <p>9 3 3S N +2 ♠4 660 5,0 1,0</p> <p>6 2 3S S +1 ♠2 630 1,0 5,0</p> <p>10 1 3S S +1 ♠V 630 1,0 5,0</p>	<p>8</p> <p>D10 D94 A87 87652</p> <p>8763 832 RD43 R3</p> <p>952 AV105 10 ADV94</p> <p>ARV4 R76 V9652 10</p> <p>Paire Contrat Ent Résultat Score</p> <p>6 2 2♦ S +1 ♠8 110 5,0 1,0</p> <p>9 3 3♦ S = ♠3 110 5,0 1,0</p> <p>7 5 2♠ O -2 ♥4 100 2,0 4,0</p> <p>10 1 1S O -1 ♠5 50 0,0 6,0</p>

<p>9</p> <p>853 106 A9542 932</p> <p>ARV962 74 9  DV75432 6 R103 R10876 D</p> <p>D10 AR8 DV87 AV54</p> <table border="1"> <thead> <tr> <th>Paire</th> <th>Contrat</th> <th>Ent</th> <th>Résultat</th> <th>Score</th> </tr> </thead> <tbody> <tr> <td>1 6</td> <td>4♥ E -3</td> <td>♥A</td> <td>300</td> <td>6,0 0,0</td> </tr> <tr> <td>2 10</td> <td>4♥ E -1</td> <td>♦D</td> <td>100</td> <td>3,0 3,0</td> </tr> <tr> <td>7 3</td> <td>4♥ E -1</td> <td>♦D</td> <td>100</td> <td>3,0 3,0</td> </tr> <tr> <td>4 9</td> <td>2♠ O +1</td> <td>♥10</td> <td>-140</td> <td>0,0 6,0</td> </tr> </tbody> </table>	Paire	Contrat	Ent	Résultat	Score	1 6	4♥ E -3	♥A	300	6,0 0,0	2 10	4♥ E -1	♦D	100	3,0 3,0	7 3	4♥ E -1	♦D	100	3,0 3,0	4 9	2♠ O +1	♥10	-140	0,0 6,0	<p>10</p> <p>7 AR72 D7 R107532</p> <p>432 AR1096 V6543  8 105 AV9432 A86 V</p> <p>DV85 D109 R86 D94</p> <table border="1"> <thead> <tr> <th>Paire</th> <th>Contrat</th> <th>Ent</th> <th>Résultat</th> <th>Score</th> </tr> </thead> <tbody> <tr> <td>1 6</td> <td>2♠ E -2</td> <td>♦6</td> <td>200</td> <td>6,0 0,0</td> </tr> <tr> <td>2 10</td> <td>3♠ E -1</td> <td>♦6</td> <td>100</td> <td>4,0 2,0</td> </tr> <tr> <td>4 9</td> <td>2♠ E +1</td> <td>♦6</td> <td>-140</td> <td>1,0 5,0</td> </tr> <tr> <td>7 3</td> <td>3♠ E =</td> <td>♣D</td> <td>-140</td> <td>1,0 5,0</td> </tr> </tbody> </table>	Paire	Contrat	Ent	Résultat	Score	1 6	2♠ E -2	♦6	200	6,0 0,0	2 10	3♠ E -1	♦6	100	4,0 2,0	4 9	2♠ E +1	♦6	-140	1,0 5,0	7 3	3♠ E =	♣D	-140	1,0 5,0
Paire	Contrat	Ent	Résultat	Score																																															
1 6	4♥ E -3	♥A	300	6,0 0,0																																															
2 10	4♥ E -1	♦D	100	3,0 3,0																																															
7 3	4♥ E -1	♦D	100	3,0 3,0																																															
4 9	2♠ O +1	♥10	-140	0,0 6,0																																															
Paire	Contrat	Ent	Résultat	Score																																															
1 6	2♠ E -2	♦6	200	6,0 0,0																																															
2 10	3♠ E -1	♦6	100	4,0 2,0																																															
4 9	2♠ E +1	♦6	-140	1,0 5,0																																															
7 3	3♠ E =	♣D	-140	1,0 5,0																																															
<p>11</p> <p>R952 RV8 109 A965</p> <p>4 DV1076 D1093  6542 R8 D52 D108743 R</p> <p>A83 A7 AV7643 V2</p> <table border="1"> <thead> <tr> <th>Paire</th> <th>Contrat</th> <th>Ent</th> <th>Résultat</th> <th>Score</th> </tr> </thead> <tbody> <tr> <td>10 3</td> <td>3S N +1</td> <td>♥2</td> <td>430</td> <td>6,0 0,0</td> </tr> <tr> <td>1 4</td> <td>3♣ O -3</td> <td>♦10</td> <td>150</td> <td>4,0 2,0</td> </tr> <tr> <td>2 7</td> <td>3♦ S +1</td> <td>♣4</td> <td>130</td> <td>2,0 4,0</td> </tr> <tr> <td>9 5</td> <td>2♦ S +1</td> <td>♠4</td> <td>110</td> <td>0,0 6,0</td> </tr> </tbody> </table>	Paire	Contrat	Ent	Résultat	Score	10 3	3S N +1	♥2	430	6,0 0,0	1 4	3♣ O -3	♦10	150	4,0 2,0	2 7	3♦ S +1	♣4	130	2,0 4,0	9 5	2♦ S +1	♠4	110	0,0 6,0	<p>12</p> <p>104 1043 V9765 A87</p> <p>96 ADV72 V962  ARD75 A83 D2 V962 D</p> <p>R853 8 R104 R10543</p> <table border="1"> <thead> <tr> <th>Paire</th> <th>Contrat</th> <th>Ent</th> <th>Résultat</th> <th>Score</th> </tr> </thead> <tbody> <tr> <td>10 3</td> <td>1S E +1</td> <td>♠4</td> <td>-120</td> <td>6,0 0,0</td> </tr> <tr> <td>1 4</td> <td>2♥ E +2</td> <td>♠4</td> <td>-170</td> <td>4,0 2,0</td> </tr> <tr> <td>2 7</td> <td>4♥ E =</td> <td>♠5</td> <td>-420</td> <td>2,0 4,0</td> </tr> <tr> <td>9 5</td> <td>5♥ E +1</td> <td>♦4</td> <td>-480</td> <td>0,0 6,0</td> </tr> </tbody> </table>	Paire	Contrat	Ent	Résultat	Score	10 3	1S E +1	♠4	-120	6,0 0,0	1 4	2♥ E +2	♠4	-170	4,0 2,0	2 7	4♥ E =	♠5	-420	2,0 4,0	9 5	5♥ E +1	♦4	-480	0,0 6,0
Paire	Contrat	Ent	Résultat	Score																																															
10 3	3S N +1	♥2	430	6,0 0,0																																															
1 4	3♣ O -3	♦10	150	4,0 2,0																																															
2 7	3♦ S +1	♣4	130	2,0 4,0																																															
9 5	2♦ S +1	♠4	110	0,0 6,0																																															
Paire	Contrat	Ent	Résultat	Score																																															
10 3	1S E +1	♠4	-120	6,0 0,0																																															
1 4	2♥ E +2	♠4	-170	4,0 2,0																																															
2 7	4♥ E =	♠5	-420	2,0 4,0																																															
9 5	5♥ E +1	♦4	-480	0,0 6,0																																															

<p>13 72 RD86 D85 A762</p> <p>AD1093 R8 54  V97 A642 RV97 R5 DV94</p> <p>V654 A1032 103 1083</p>					<p>14 10 72 AR6543 D952</p> <p>76542 AD83 ---  RD965 D872 V10 RV104 73</p> <p>RV9 AV10843 9 A86</p>				
Paire	Contrat	Ent	Résultat	Score	Paire	Contrat	Ent	Résultat	Score
2 5	3S E -2	♥2	200	6,0 0,0	4 10	3♥ S =	♠4	140	6,0 0,0
6 9	3♦ O =	♥R	-110	4,0 2,0	6 9	2♦ N =	♠3	90	4,0 2,0
3 1	1S E +1	♥2	-120	2,0 4,0	2 5	2♠ O -1	♦A	50	2,0 4,0
4 10	2♥ S -2	♠9	-200	0,0 6,0	3 1	2S S -2	♦2	-100	0,0 6,0