
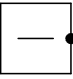
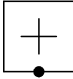

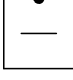
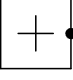
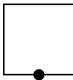
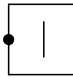
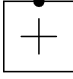
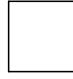


Paire	%	Nom	N° adhérent
7	66,6	Philippe NOISETTE - Eric PERSON	48 30
4	58,4	Alain D AUX - Sophie D AUX	51 52
1	54,1	Floride COTONEA - Jeanne FAOU	
2	50,0	Jean Pierre BREAU - Nicole BREAU	29 28
5	45,9	Jean Pierre MARQUET - Marie Andrée MARQUET	44 43
6	41,6	Francis CORDIER - Pierrette ALLARD	37 35
3	33,4	Martine JACQ - Daniel JACQ	22 23

1 V653 RV107 2 RV96 1082 A9643 A107 52 A94 D52 DV98 D73 RD7 8 R6543 A1084					2 RD75 D98 A85 R92 982 742 RD942 D4 104 AR10653 10 AV106 AV63 V V763 8753				
Paire	Contrat	Ent	Résultat	Score	Paire	Contrat	Ent	Résultat	Score
3 4	1S S =	♥3	90	4,0 0,0	5 7	5♥ E -2	♠3	100	4,0 0,0
2 6	2S N -1	♦D	-50	2,0 2,0	2 6	3♥ E -1	♦6	50	2,0 2,0
5 7	1S S -2	♥4	-100	0,0 4,0	3 4	2♠ N -1	♥A	-100	0,0 4,0
3 R105 RV1072 V7 V53 DV74 864 85 R1084 93 AD53 A10964 92 A862 9 RD32 AD76					4 RD5 R 86 ARV10632 7 DV73 RV1074 987 AV9643 A85 A52 5 1082 109642 D93 D4				
Paire	Contrat	Ent	Résultat	Score	Paire	Contrat	Ent	Résultat	Score
4 5	1S S +1	♠4	120	3,0 1,0	4 5	3♠ E -2	♠D	200	4,0 0,0
6 1	1S N +1	♥D	120	3,0 1,0	6 1	3♠ N -1	♠A	-100	2,0 2,0
3 7	3S S -1	♠4	-50	0,0 4,0	3 7	3♠ N -2	♥A	-200	0,0 4,0

<p>5</p> <p>V762 AD7 982 A96</p> <p>3 9852 A1074 V874</p>  <p>R109854 V643 6 R5</p> <p>AD R10 RDV53 D1032</p> <table border="1"> <thead> <tr> <th>Paire</th> <th>Contrat</th> <th>Ent</th> <th>Résultat</th> <th>Score</th> </tr> </thead> <tbody> <tr> <td>7 2</td> <td>3S S = ♠3</td> <td></td> <td>600</td> <td>4,0 0,0</td> </tr> <tr> <td>4 1</td> <td>3♦ S +1 ♣8</td> <td></td> <td>130</td> <td>2,0 2,0</td> </tr> <tr> <td>5 6</td> <td>3S S -2 ♣4</td> <td></td> <td>-200</td> <td>0,0 4,0</td> </tr> </tbody> </table>	Paire	Contrat	Ent	Résultat	Score	7 2	3S S = ♠3		600	4,0 0,0	4 1	3♦ S +1 ♣8		130	2,0 2,0	5 6	3S S -2 ♣4		-200	0,0 4,0	<p>6</p> <p>AD106 8 A982 8652</p> <p>83 A954 R1074 943</p>  <p>97542 RD7 V6 AD7</p> <p>RV V10632 D53 RV10</p> <table border="1"> <thead> <tr> <th>Paire</th> <th>Contrat</th> <th>Ent</th> <th>Résultat</th> <th>Score</th> </tr> </thead> <tbody> <tr> <td>4 1</td> <td>1S O -1 ♦2</td> <td></td> <td>100</td> <td>2,0 2,0</td> </tr> <tr> <td>5 6</td> <td>1S O -1 ♣8</td> <td></td> <td>100</td> <td>2,0 2,0</td> </tr> <tr> <td>7 2</td> <td>1S O -1 ♣8</td> <td></td> <td>100</td> <td>2,0 2,0</td> </tr> </tbody> </table>	Paire	Contrat	Ent	Résultat	Score	4 1	1S O -1 ♦2		100	2,0 2,0	5 6	1S O -1 ♣8		100	2,0 2,0	7 2	1S O -1 ♣8		100	2,0 2,0
Paire	Contrat	Ent	Résultat	Score																																					
7 2	3S S = ♠3		600	4,0 0,0																																					
4 1	3♦ S +1 ♣8		130	2,0 2,0																																					
5 6	3S S -2 ♣4		-200	0,0 4,0																																					
Paire	Contrat	Ent	Résultat	Score																																					
4 1	1S O -1 ♦2		100	2,0 2,0																																					
5 6	1S O -1 ♣8		100	2,0 2,0																																					
7 2	1S O -1 ♣8		100	2,0 2,0																																					
<p>7</p> <p>V93 R1032 R72 V85</p> <p>A852 9754 4 AD32</p>  <p>R10 V6 A9853 9764</p> <p>D764 AD8 DV106 R10</p> <table border="1"> <thead> <tr> <th>Paire</th> <th>Contrat</th> <th>Ent</th> <th>Résultat</th> <th>Score</th> </tr> </thead> <tbody> <tr> <td>1 3</td> <td>1S N -1 ♦5</td> <td></td> <td>-100</td> <td>4,0 0,0</td> </tr> <tr> <td>5 2</td> <td>2♥ N -2 ♣9</td> <td></td> <td>-200</td> <td>1,0 3,0</td> </tr> <tr> <td>6 7</td> <td>2S N -2 ♣9</td> <td></td> <td>-200</td> <td>1,0 3,0</td> </tr> </tbody> </table>	Paire	Contrat	Ent	Résultat	Score	1 3	1S N -1 ♦5		-100	4,0 0,0	5 2	2♥ N -2 ♣9		-200	1,0 3,0	6 7	2S N -2 ♣9		-200	1,0 3,0	<p>8</p> <p>104 AD65 RD964 R5</p> <p>96532 V7 AV7 D64</p>  <p>AV 108432 1082 AV8</p> <p>RD87 R9 53 109732</p> <table border="1"> <thead> <tr> <th>Paire</th> <th>Contrat</th> <th>Ent</th> <th>Résultat</th> <th>Score</th> </tr> </thead> <tbody> <tr> <td>1 3</td> <td>1S N +1 ♥2</td> <td></td> <td>120</td> <td>4,0 0,0</td> </tr> <tr> <td>5 2</td> <td>1S S -2 ♦V</td> <td></td> <td>-100</td> <td>1,0 3,0</td> </tr> <tr> <td>6 7</td> <td>1S N -2 ♥3</td> <td></td> <td>-100</td> <td>1,0 3,0</td> </tr> </tbody> </table>	Paire	Contrat	Ent	Résultat	Score	1 3	1S N +1 ♥2		120	4,0 0,0	5 2	1S S -2 ♦V		-100	1,0 3,0	6 7	1S N -2 ♥3		-100	1,0 3,0
Paire	Contrat	Ent	Résultat	Score																																					
1 3	1S N -1 ♦5		-100	4,0 0,0																																					
5 2	2♥ N -2 ♣9		-200	1,0 3,0																																					
6 7	2S N -2 ♣9		-200	1,0 3,0																																					
Paire	Contrat	Ent	Résultat	Score																																					
1 3	1S N +1 ♥2		120	4,0 0,0																																					
5 2	1S S -2 ♦V		-100	1,0 3,0																																					
6 7	1S N -2 ♥3		-100	1,0 3,0																																					
<p>9</p> <p>AD D42 A7532 R94</p> <p>932 RV RV109 D1073</p>  <p>V108764 5 864 V65</p> <p>R5 A1098763 D A82</p> <table border="1"> <thead> <tr> <th>Paire</th> <th>Contrat</th> <th>Ent</th> <th>Résultat</th> <th>Score</th> </tr> </thead> <tbody> <tr> <td>7 1</td> <td>4♥ N +2 ♣4</td> <td></td> <td>480</td> <td>4,0 0,0</td> </tr> <tr> <td>2 4</td> <td>6♥ N -1 ♠V</td> <td></td> <td>-50</td> <td>2,0 2,0</td> </tr> <tr> <td>6 3</td> <td>6♥ N -2 ♠6</td> <td></td> <td>-100</td> <td>0,0 4,0</td> </tr> </tbody> </table>	Paire	Contrat	Ent	Résultat	Score	7 1	4♥ N +2 ♣4		480	4,0 0,0	2 4	6♥ N -1 ♠V		-50	2,0 2,0	6 3	6♥ N -2 ♠6		-100	0,0 4,0	<p>10</p> <p>AR97 D R105 AV1098</p> <p>108 V83 V96432 D4</p>  <p>D642 A9642 A 762</p> <p>V53 R1075 D87 R53</p> <table border="1"> <thead> <tr> <th>Paire</th> <th>Contrat</th> <th>Ent</th> <th>Résultat</th> <th>Score</th> </tr> </thead> <tbody> <tr> <td>2 4</td> <td>3S N = ♥4</td> <td></td> <td>600</td> <td>4,0 0,0</td> </tr> <tr> <td>7 1</td> <td>3♣ N +1 ♥A</td> <td></td> <td>130</td> <td>2,0 2,0</td> </tr> <tr> <td>6 3</td> <td>2S N = ♥6</td> <td></td> <td>120</td> <td>0,0 4,0</td> </tr> </tbody> </table>	Paire	Contrat	Ent	Résultat	Score	2 4	3S N = ♥4		600	4,0 0,0	7 1	3♣ N +1 ♥A		130	2,0 2,0	6 3	2S N = ♥6		120	0,0 4,0
Paire	Contrat	Ent	Résultat	Score																																					
7 1	4♥ N +2 ♣4		480	4,0 0,0																																					
2 4	6♥ N -1 ♠V		-50	2,0 2,0																																					
6 3	6♥ N -2 ♠6		-100	0,0 4,0																																					
Paire	Contrat	Ent	Résultat	Score																																					
2 4	3S N = ♥4		600	4,0 0,0																																					
7 1	3♣ N +1 ♥A		130	2,0 2,0																																					
6 3	2S N = ♥6		120	0,0 4,0																																					

<p>11 V6543 1075 A65 AR</p> <p>10 ARD972 A98432  R6 V42 D9 V64 1083</p> <p>8 DV R10873 D9752</p> <table border="1"> <thead> <tr> <th>Paire</th> <th>Contrat</th> <th>Ent</th> <th>Résultat</th> <th>Score</th> </tr> </thead> <tbody> <tr> <td>1 2</td> <td>4♥ O -4 ♠V</td> <td></td> <td>200</td> <td>4,0 0,0</td> </tr> <tr> <td>7 4</td> <td>3♥ O -2 ♠3</td> <td></td> <td>100</td> <td>2,0 2,0</td> </tr> <tr> <td>3 5</td> <td>2S E +1 ♠8</td> <td></td> <td>-150</td> <td>0,0 4,0</td> </tr> </tbody> </table>	Paire	Contrat	Ent	Résultat	Score	1 2	4♥ O -4 ♠V		200	4,0 0,0	7 4	3♥ O -2 ♠3		100	2,0 2,0	3 5	2S E +1 ♠8		-150	0,0 4,0	<p>12 R54 R763 9842 106</p> <p>A3 V7 V82  AD1094 V7 AR653 RV8742 3</p> <p>D109862 5 D10 AD95</p> <table border="1"> <thead> <tr> <th>Paire</th> <th>Contrat</th> <th>Ent</th> <th>Résultat</th> <th>Score</th> </tr> </thead> <tbody> <tr> <td>1 2</td> <td>4♥ E -2 ♠D</td> <td></td> <td>100</td> <td>4,0 0,0</td> </tr> <tr> <td>3 5</td> <td>3♥ E -1 ♠D</td> <td></td> <td>50</td> <td>2,0 2,0</td> </tr> <tr> <td>7 4</td> <td>3♠ S -3 ♥V</td> <td></td> <td>-300</td> <td>0,0 4,0</td> </tr> </tbody> </table>	Paire	Contrat	Ent	Résultat	Score	1 2	4♥ E -2 ♠D		100	4,0 0,0	3 5	3♥ E -1 ♠D		50	2,0 2,0	7 4	3♠ S -3 ♥V		-300	0,0 4,0
Paire	Contrat	Ent	Résultat	Score																																					
1 2	4♥ O -4 ♠V		200	4,0 0,0																																					
7 4	3♥ O -2 ♠3		100	2,0 2,0																																					
3 5	2S E +1 ♠8		-150	0,0 4,0																																					
Paire	Contrat	Ent	Résultat	Score																																					
1 2	4♥ E -2 ♠D		100	4,0 0,0																																					
3 5	3♥ E -1 ♠D		50	2,0 2,0																																					
7 4	3♠ S -3 ♥V		-300	0,0 4,0																																					
<p>13 653 D543 A7 9873</p> <p>ARV109 D7 AV92  R106 D83 92 V AD6542</p> <p>842 87 RV10654 R10</p> <table border="1"> <thead> <tr> <th>Paire</th> <th>Contrat</th> <th>Ent</th> <th>Résultat</th> <th>Score</th> </tr> </thead> <tbody> <tr> <td>4 6</td> <td>2♠ O +1 ♦A</td> <td></td> <td>-140</td> <td>4,0 0,0</td> </tr> <tr> <td>2 3</td> <td>2S O +1 ♣9</td> <td></td> <td>-150</td> <td>2,0 2,0</td> </tr> <tr> <td>1 5</td> <td>2♠ O +2 ♦A</td> <td></td> <td>-170</td> <td>0,0 4,0</td> </tr> </tbody> </table>	Paire	Contrat	Ent	Résultat	Score	4 6	2♠ O +1 ♦A		-140	4,0 0,0	2 3	2S O +1 ♣9		-150	2,0 2,0	1 5	2♠ O +2 ♦A		-170	0,0 4,0	<p>14 75 73 R1076 R8532</p> <p>R1094 AD62 V984 1065 V943  52 7 DV94</p> <p>V83 ARD2 AD8 A106</p> <table border="1"> <thead> <tr> <th>Paire</th> <th>Contrat</th> <th>Ent</th> <th>Résultat</th> <th>Score</th> </tr> </thead> <tbody> <tr> <td>2 3</td> <td>3S S = ♦3</td> <td></td> <td>400</td> <td>4,0 0,0</td> </tr> <tr> <td>1 5</td> <td>3S S -1 ♠4</td> <td></td> <td>-50</td> <td>1,0 3,0</td> </tr> <tr> <td>4 6</td> <td>3S S -1 ♥4</td> <td></td> <td>-50</td> <td>1,0 3,0</td> </tr> </tbody> </table>	Paire	Contrat	Ent	Résultat	Score	2 3	3S S = ♦3		400	4,0 0,0	1 5	3S S -1 ♠4		-50	1,0 3,0	4 6	3S S -1 ♥4		-50	1,0 3,0
Paire	Contrat	Ent	Résultat	Score																																					
4 6	2♠ O +1 ♦A		-140	4,0 0,0																																					
2 3	2S O +1 ♣9		-150	2,0 2,0																																					
1 5	2♠ O +2 ♦A		-170	0,0 4,0																																					
Paire	Contrat	Ent	Résultat	Score																																					
2 3	3S S = ♦3		400	4,0 0,0																																					
1 5	3S S -1 ♠4		-50	1,0 3,0																																					
4 6	3S S -1 ♥4		-50	1,0 3,0																																					